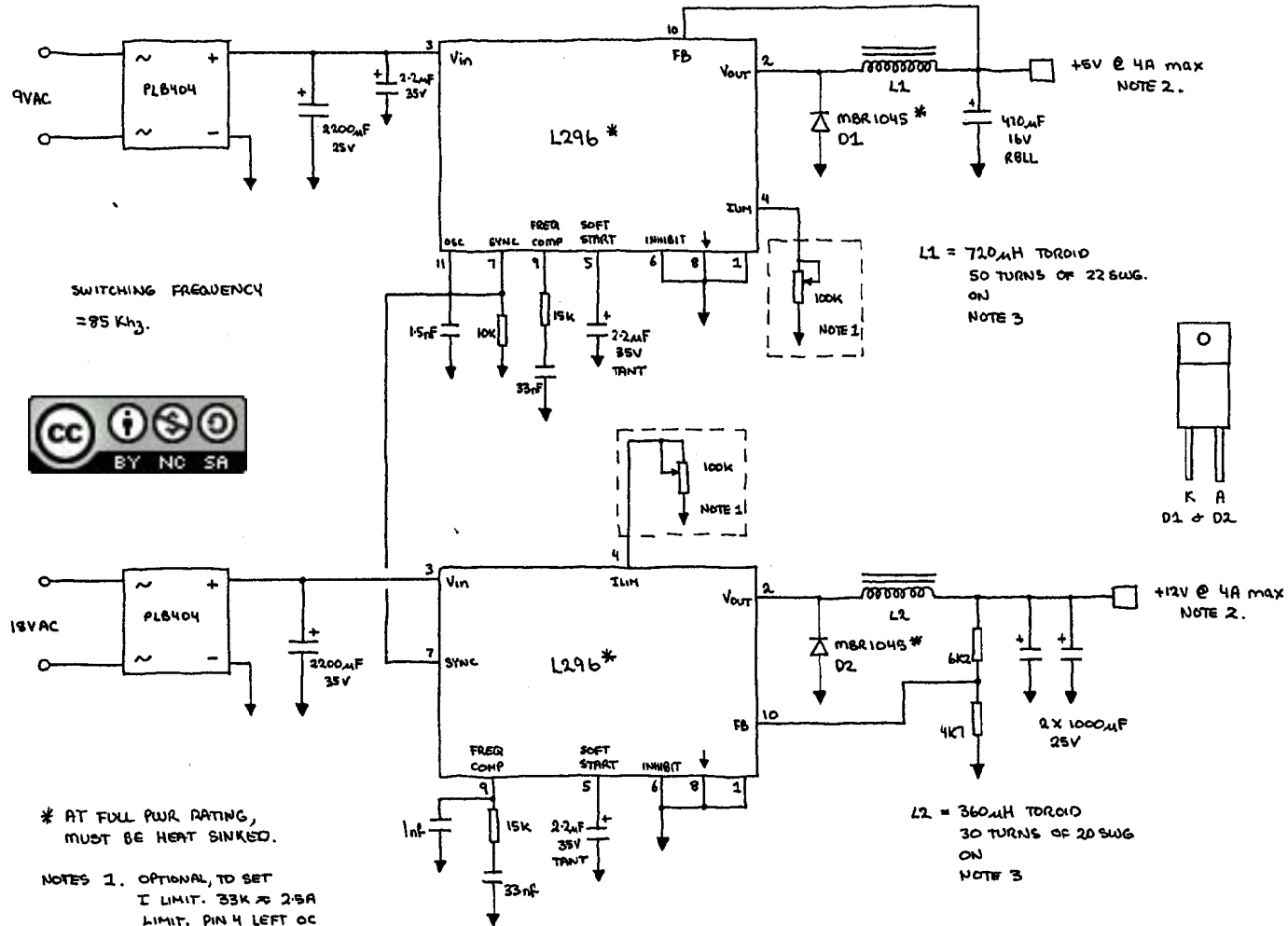


SWITCH MODE DISK DRIVE PWR SUPPLY.



* AT FULL PWR RATING, MUST BE HEAT SINKED.

NOTES 1. OPTIONAL, TO SET I LIMIT. 33K ≈ 2.5A LIMIT. PIN 4 LEFT OC I LIMIT = 5A.

2. MINIMUM LOAD, 100 mA.
3. DSE PIN (NONE)

RIG P/N L22130.

STEWART ELECTRONIC P/N FC333

DRAWN BY NINO BENCI
DATE 4 JAN 87.

© THE CIRCUIT COMPANY. © NINO BENCI