



4 DIGIT X100 RPM



$$100,000 \text{ RPM} = 1666.7 \text{ Hz}$$

$$16.667 \text{ Hz} \div 10 = 1.6667 \text{ Hz} =$$

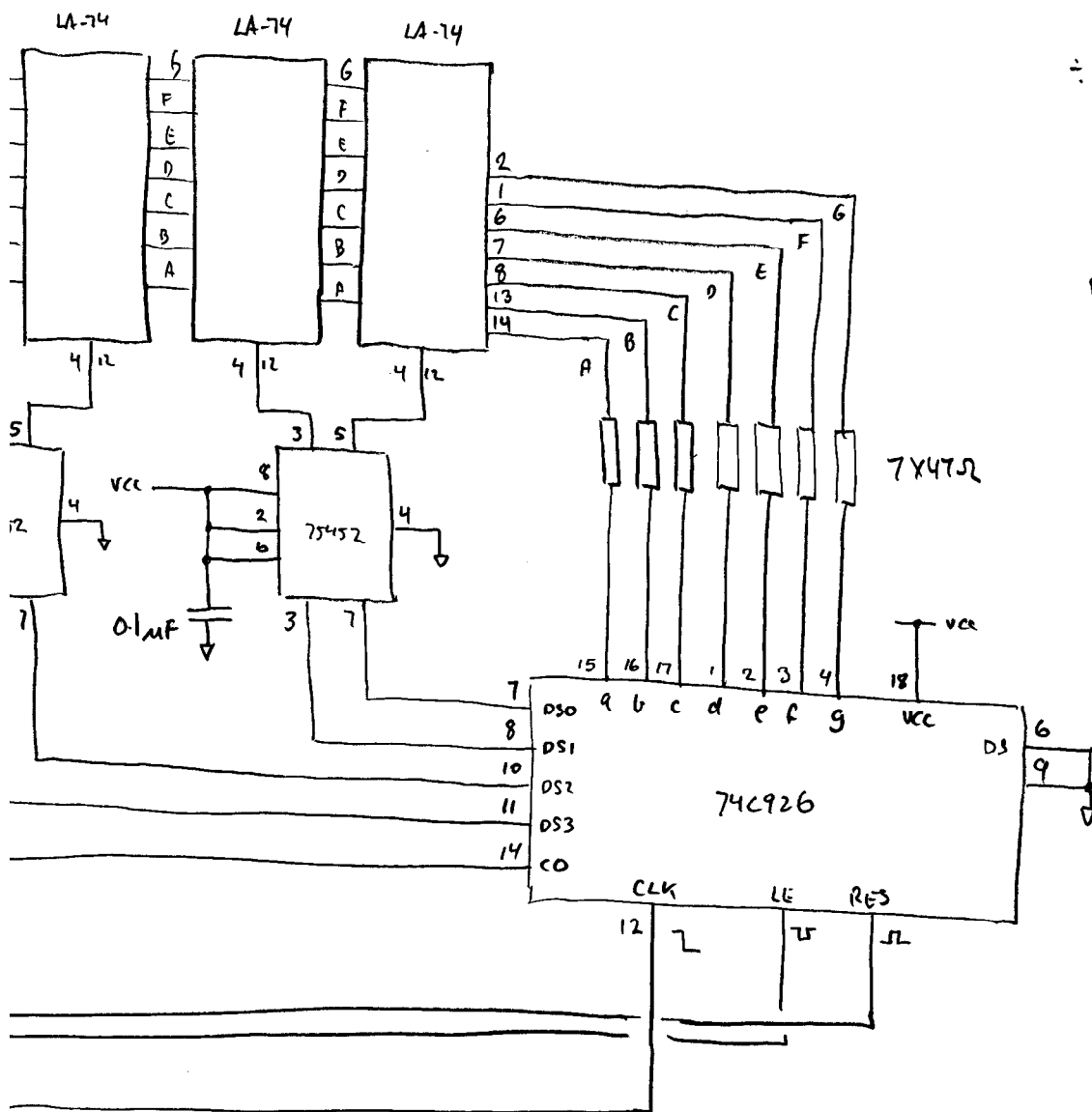
$$1.6667 \text{ kHz}$$

$$\div 1.6667 \text{ Hz}$$

$$= 999 \text{ Display} \times 100 \text{ RPM}$$

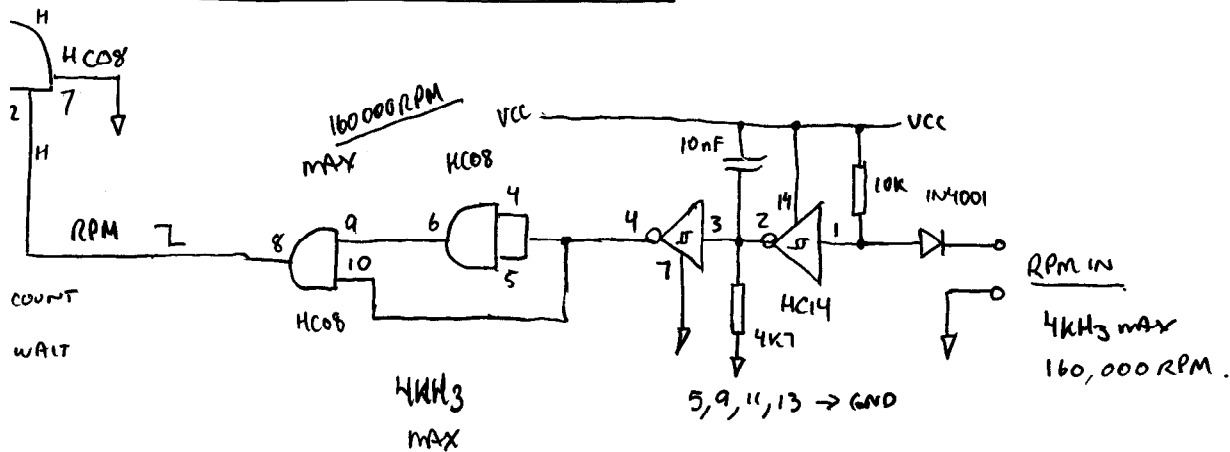
$$\equiv 99,900 \text{ RPM}$$

MIN 16,000 RPM



PARTS

- LM7805
- 5075452 X2
- 74C926
- MAN74 X4
- (LA-74 X4)
- 4017 X1
- 74HC10 X1
- 74HC08 X1
- 74HC14 X1
- 8640 X1



11