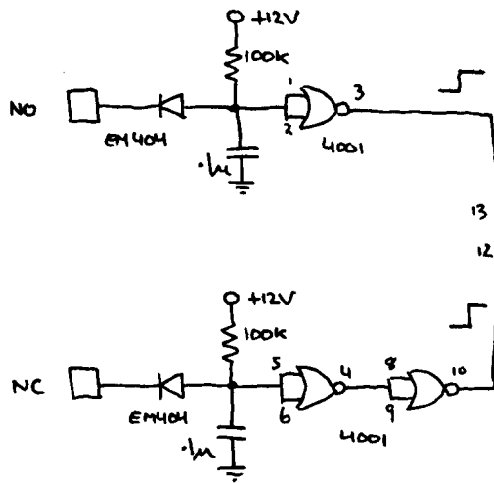
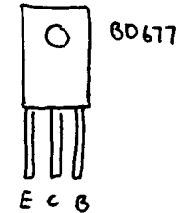
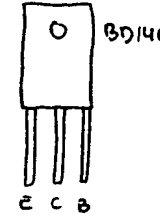
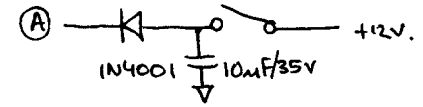
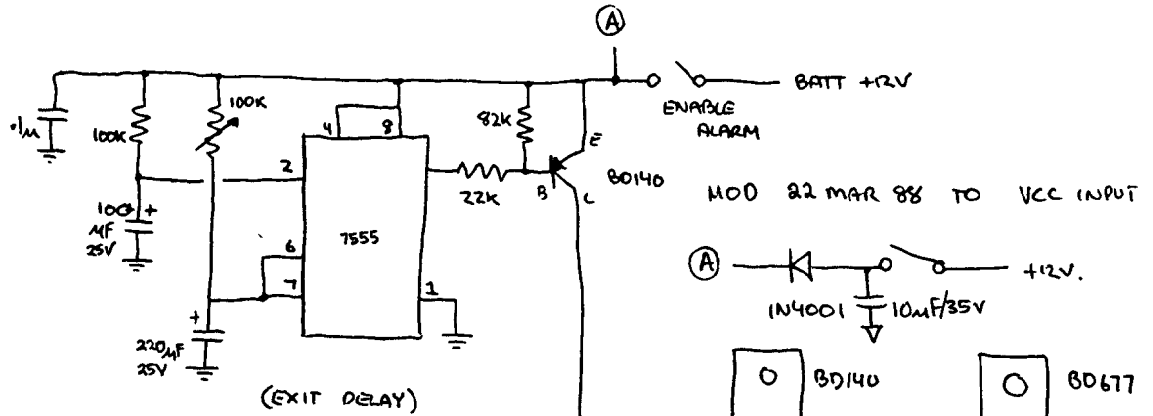


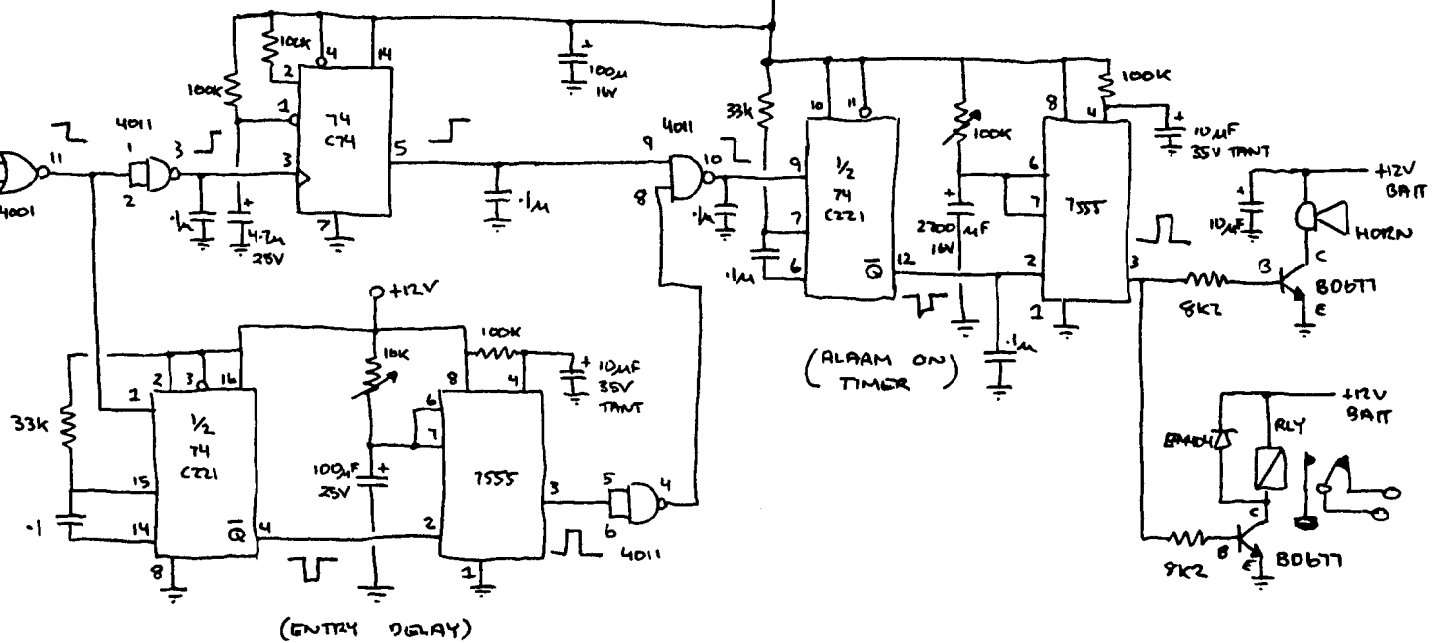
ALARM MODULE
 NO & NC CONTACTS
 WITH ADJUSTABLE
 ENTRY
 EXIT
 & ALARM ON TIME

V 2.4 APRIL 18th 86

TIME CALC'S
 $t = RC \cdot 1.1$



(ENTRY LATCH)



(ENTRY DELAY)

