

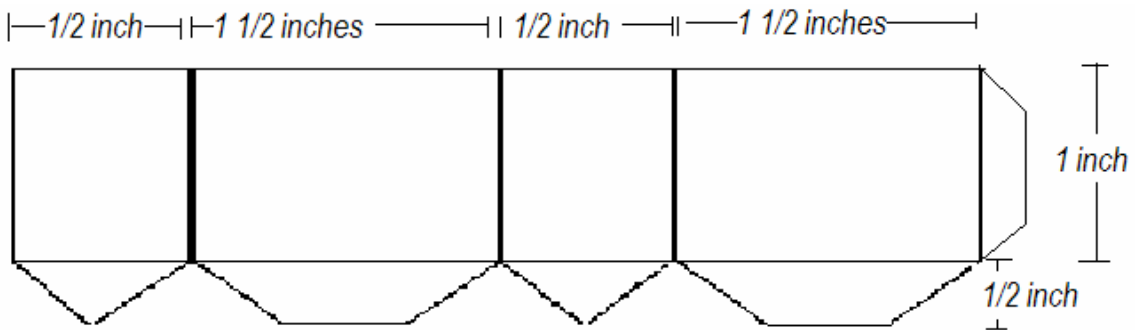
## NAPPY BAG



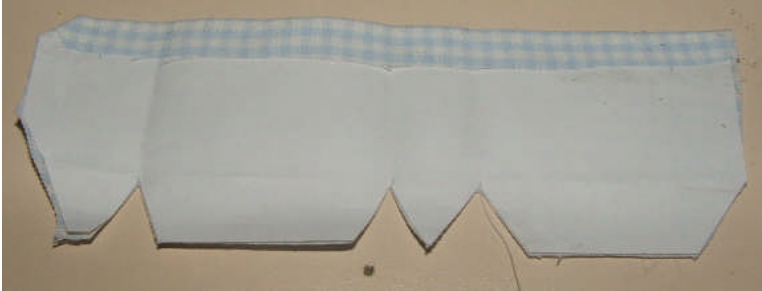
### Items needed

Paper  
Material with small checked pattern  
Glue  
Ribbon  
Bunka

Copy the pattern onto paper, and cut this out.



Lay the paper pattern on the fabric and cut around it, leaving 5mm for a hem to be folded on the bag at the top.



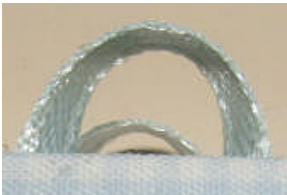
Glue the fabric to the paper and when dry bend into shape.

Glue this at the side and base.



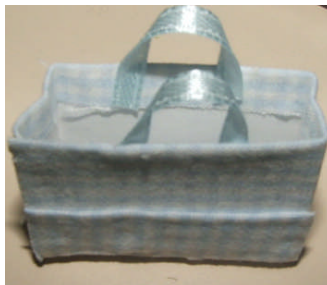
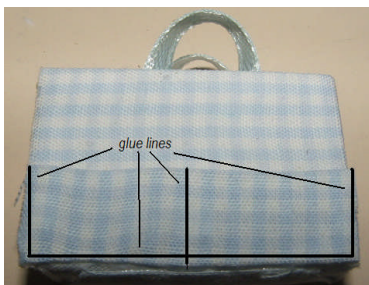
Cut off any loose threads and neaten if necessary.

Cut 2 lengths of ribbon and glue these on as handles. These can be as long as you like.



Then cut a rectangle of fabric  $\frac{1}{2}$  inch x  $1\frac{1}{2}$  inches, fold the longest side over and glue for a hem. This will be the top of the pocket.

Glue this onto the side of the bag as a pocket. If you want individual pockets, put a line of glue down the middle before gluing to the bag. Cut off any loose threads.



Trim the bag with bunka or ribbon, on the front section, including the pocket.



Make a small ribbon bow and glue this to the front just below the handles,



When glue is dry fill the bag with baby goodies.

### **Easy baby rattle**

Using cheap metal charm in the shape of a animal, add a small piece of ribbon or bunka for a handle, glue or tie this in place, and pop it in the pocket.

